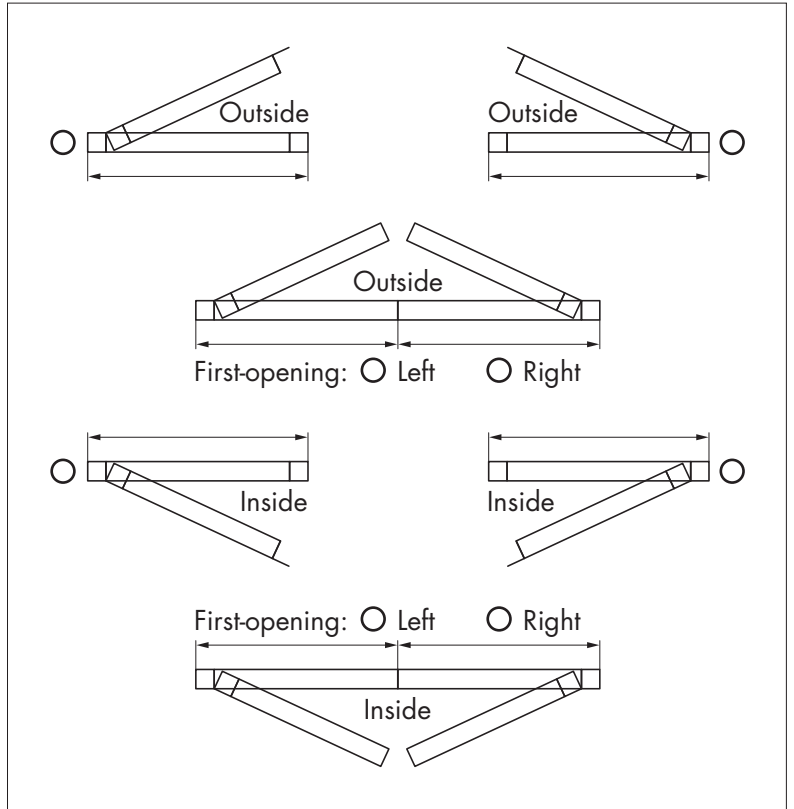
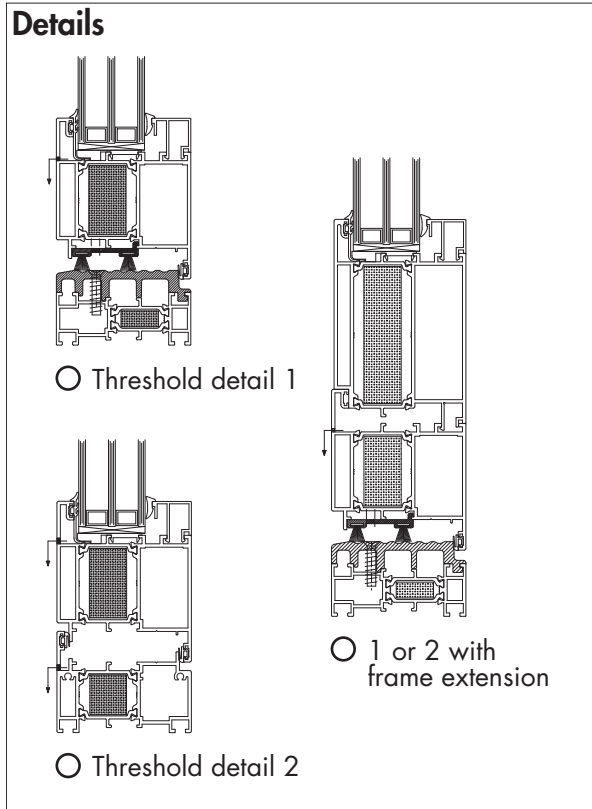


Customer	Reference
	Delivery WK No. [min 4 weeks]
E-Mail:	Place/Date
Number of enclosures (Plan/Sketch):	Signature



<b>Door</b>	Width(mm) _____	Height(mm) _____	Transom [top] (mm) _____
<b>Locking bolt height</b> from u/s floor guide	<input type="radio"/> Standard: 1100mm	<input type="radio"/> Other(mm) _____	
<b>Alu-frame</b>	Inside	<input type="radio"/> Natur. anod.	<input type="radio"/> RAL 9010 <input type="radio"/> Other Colour _____
	Outside	<input type="radio"/> Natur. anod.	<input type="radio"/> RAL 9010 <input type="radio"/> Other Colour _____
<b>Glazing</b>	<input type="radio"/> With	<input type="radio"/> Without	<input type="radio"/> double glazed 24mm <input type="radio"/> prepared for (mm) _____
<b>Lock</b>	<input type="radio"/> Profile cylinder lock recess 17mm		
Standard: Mortice lock w. multiple bolts	<input type="radio"/> Electric door opener		
<b>Door handle/Knob</b>	Inside: Handle; Outside:	<input type="radio"/> Handle	<input type="radio"/> Knob <input type="radio"/> Stainless
<b>Ironmongery</b>	Inside	<input type="radio"/> Black <input type="radio"/> White	<input type="radio"/> Aluminium col.
	Outside	<input type="radio"/> Black <input type="radio"/> White	<input type="radio"/> Aluminium col.
<b>EPDM/TPV</b>	Inside	<input type="radio"/> Black <input type="radio"/> White	<input type="radio"/> Grey
Gaskets	Outside	<input type="radio"/> Black <input type="radio"/> White	<input type="radio"/> Grey <input type="radio"/> silicone-free
<b>Compensation profile* 54mm</b>	<input type="radio"/> Top	<input type="radio"/> Bottom	<input type="radio"/> Left** <input type="radio"/> Right**

Remark \_\_\_\_\_

**\*Watch the height! \*\*Inside view**

FORM\_T\_ST\_80

